



Technical information

Hinges for corner cabinets.

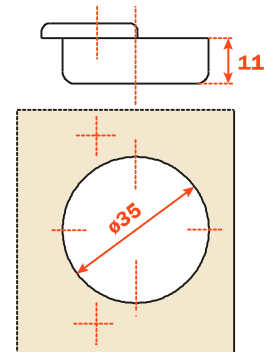
11 mm deep die-cast cup.
 35 mm cup diameter.
 Opening angle of the first door 70°.
 Possible drilling distance on the door (K) : from 3 to 6 mm.

Maximum thickness of the door with square edges: 23 mm.
 For thicker doors or doors with mouldings or with large radiused edges, please refer to our technical assistance.
 Compatible with all traditional Series 200 mounting plates and with all Domi snap-on mounting plates.

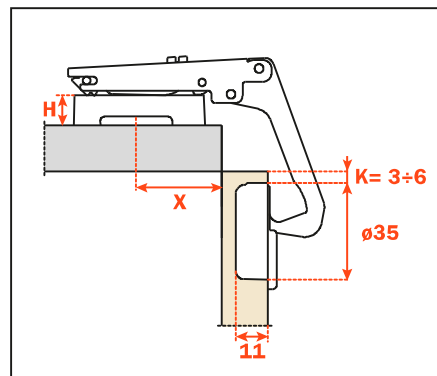
Packing

Boxes 150 pcs.
 Pallets 3.600 pcs.

Use the tables "Drillings and fixings" at page 83 to complete the code number of the desired hinge.



CA sprung hinge



CA - C2_YA99

Use these formulas to determine the height of mounting plate and drilling distance

Drilling distance:
 cruciform mounting plates = $47 - T$

Drilling distance:
 longitudinal mounting plates = $(31 - T) + 32$

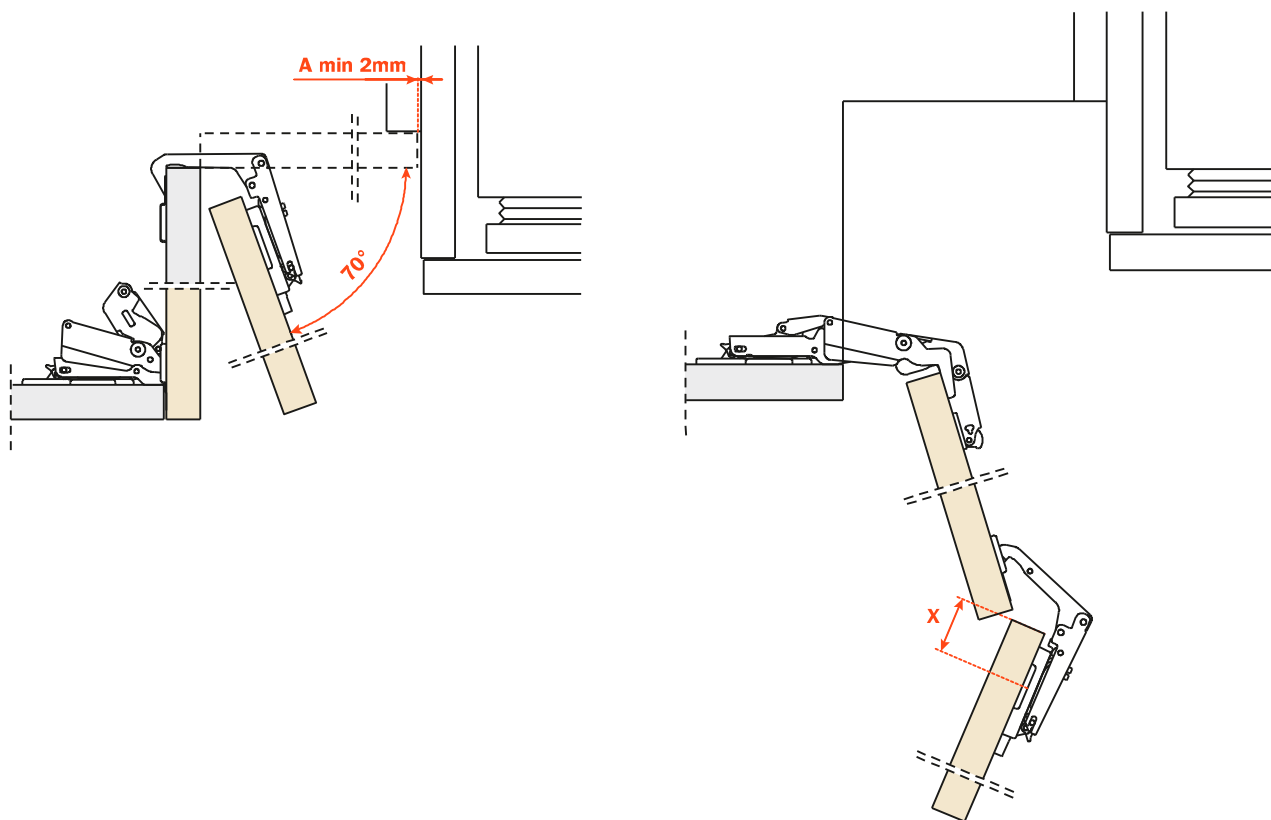
$H^* = 26 - T - K$
 The mounting plate heights that are not standard are obtained with the mounting plate of lower height + sideways adjustment

T = Thickness of the door with square edges

Examples with doors with square edges

T	K	X	X	H
20	5	$47 - 20 = 27$ mm	$31 - 20 = 11 + 32$ mm	$26 - 20 - 5 = 1$ mm
16	6	$47 - 16 = 31$ mm	$31 - 16 = 15 + 32$ mm	$26 - 16 - 6 = 4$ mm
19	3	$47 - 19 = 28$ mm	$31 - 19 = 12 + 32$ mm	$26 - 19 - 3 = 4$ mm
18	4	$47 - 18 = 29$ mm	$31 - 18 = 13 + 32$ mm	$26 - 18 - 4 = 5$ (H = 4 + 1 mm adjustment)

C2AYA99 hinge movement and maximum opening width



Space required to accommodate the hinge

With Series 200 mounting plates

The maximum space required to accommodate the hinge is 52 mm with 16 mm thick doors. With thicker doors the amount of space required is reduced.

With Domi snap-on mounting plates

The maximum space required to accommodate the hinge with 16 mm thick doors is 64 mm with Domi mounting plates and 68 mm with mounting plates with back cam. With thicker doors the amount of space required is reduced.

